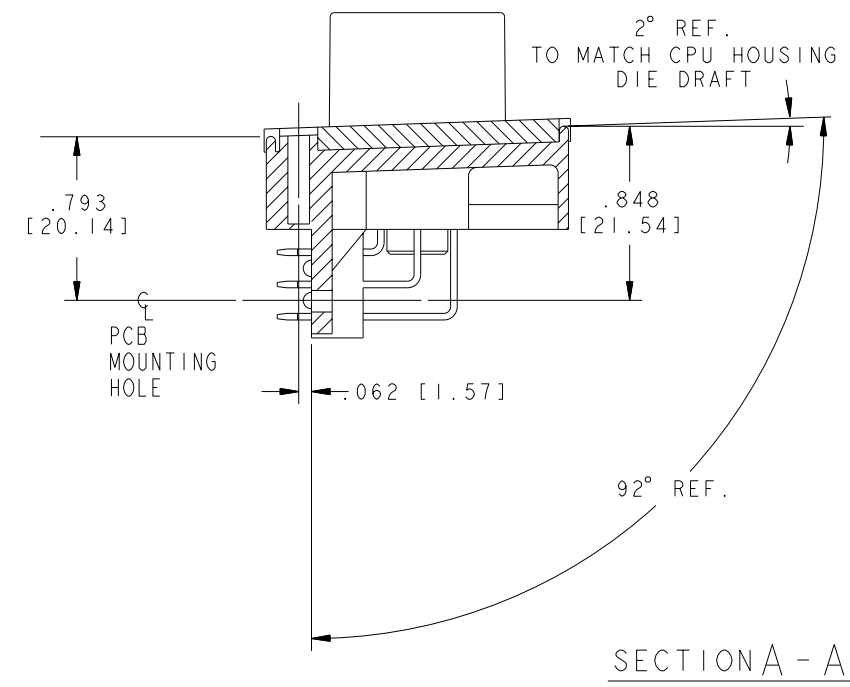
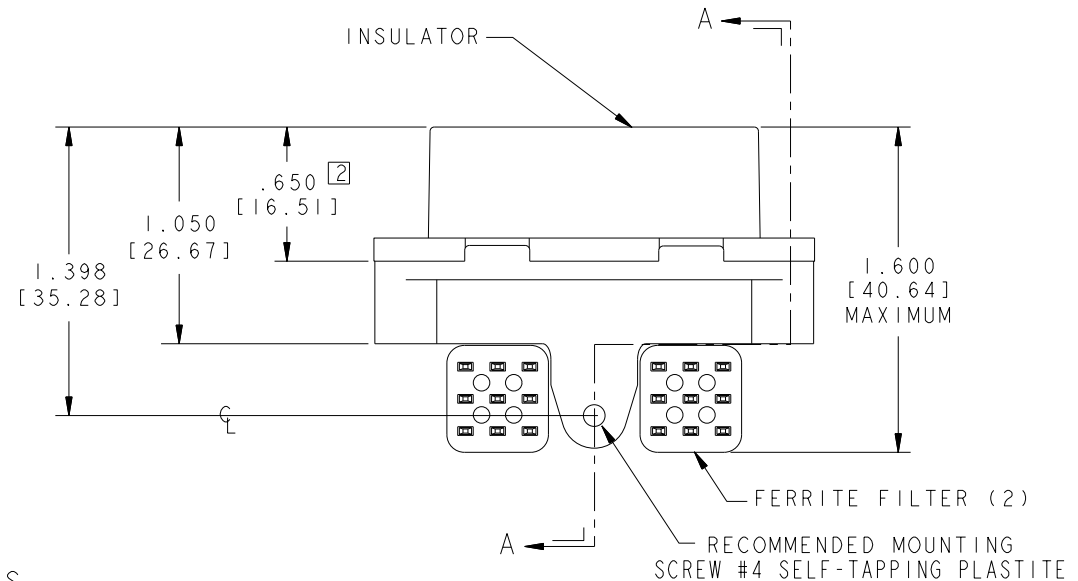
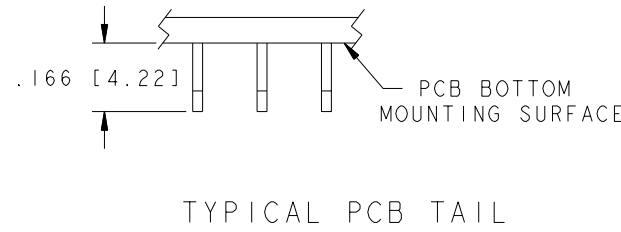
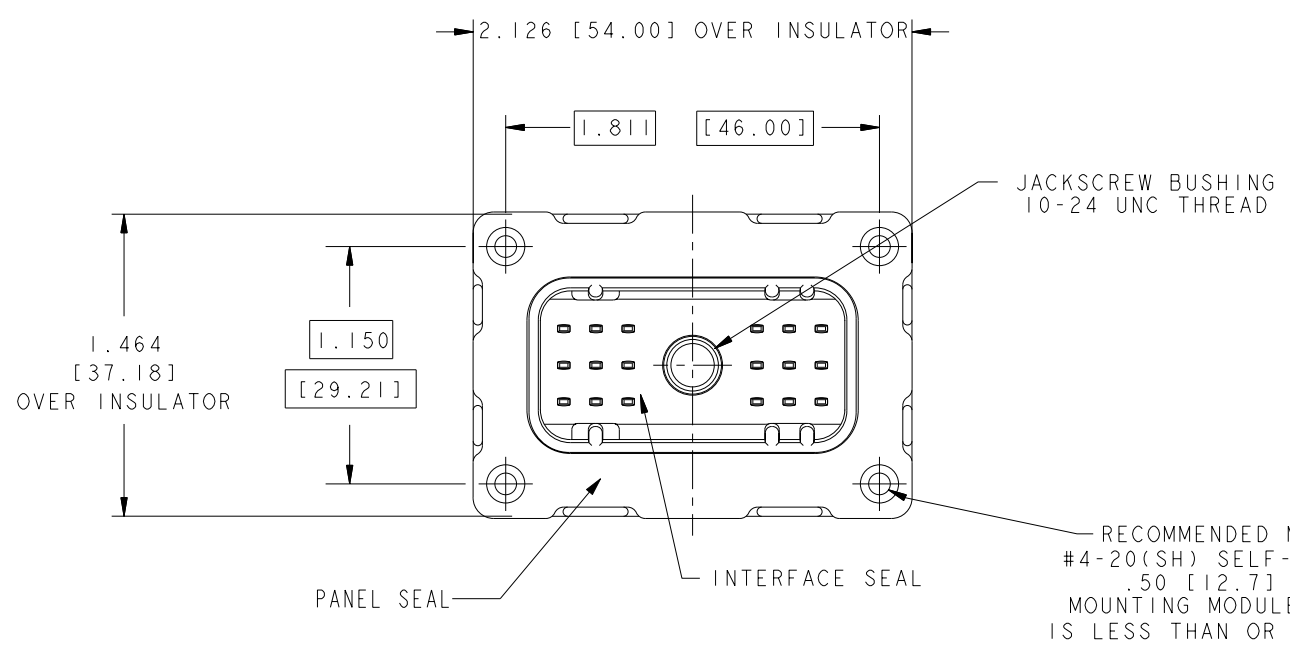


8 7 6 5 4 3 2 1

DRAWING REVISIONS

REV	DOCUMENT	APP	DATE
B	@C6 ADDED: ONLY IF... @A8 ADDED: 7. RECOMMENDED... PER ECN #01A680	AC	12/05/01



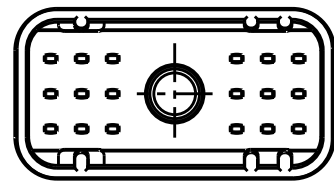
NOTES

- ALL DIMENSIONS IN [] ARE IN MILLIMETERS.
- .650 [16.51] TO BE MEASURED AT THE CENTER OF WIDTH OF CONNECTOR.
- MATERIAL:
 TERMINAL BLADE: BRASS WITH TIN-LEAD OVER NICKEL PLATING
 JACKSCREW BUSHING: BRASS, UNPLATED
 INSULATOR: 30% GLASS FILLED PBT POLYESTER
 PANEL SEAL: SILICON RUBBER COLOR: BLUE
 INTERFACE SEAL: SILICON RUBBER COLOR: BLUE
- SOLDERABILITY MEETS USCAR 5.4.1.
- MATES WITH CINCH PUSH-TO-SEAT HARNESS CONNECTOR (SEE SHT. 2)
- STANDARD CELL PACK, QUANTITY 100 PIECES.
- RECOMMENDED TORQUE: JACKSCREW 15-20 IN-LBS[1.7-2.3Nm]
 PANEL SCREW 8.5±0.5 IN-LBS[0.9±0.1Nm]
 PCB RETENTION SCREW 2-3 IN-LBS[0.23-0.34 Nm]

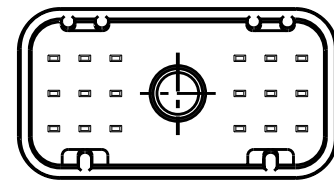
MODELED BY:
J. TOBACK

UNITS	ENGLISH	PRO/E	Cinch	
DO NOT SCALE DRAWING	DRAWN BY T. RANDAZZO	DATE 05/16/96	TITLE CONNECTOR ASSEMBLY, RECEPTACLE 18 POS.	
	DESIGN ENGINEER T. RANDAZZO		MATERIAL	CONTROL SPEC NUMBER
	DESIGN ENGINEERING MGR. R. BYCZEK	04/30/97	MATERIAL SPEC NUMBER	PROJECT NUMBER C13841
	MFG. ENGINEERING		CAD FILE NUMBER 5810118001S	DRAWING NUMBER 581 01 18 001S
	QUALITY ASSURANCE		CAGE IDENT NO. SIZE 71785 B	SCALE 1.000
				SHEET 1 OF 2

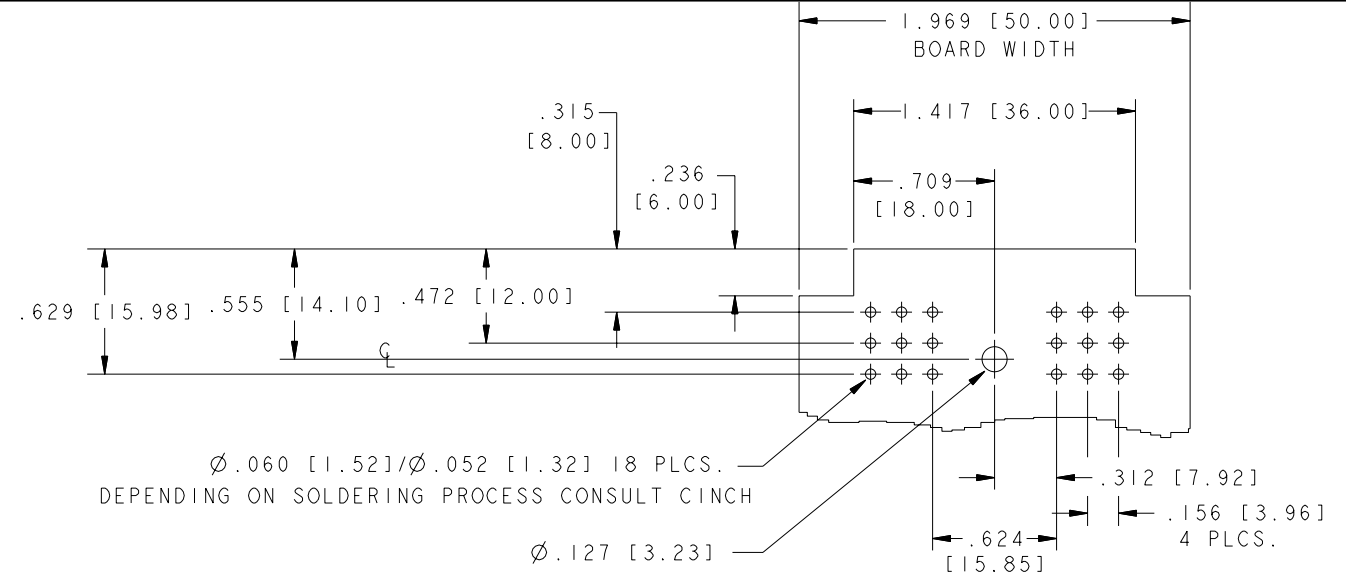
8 7 6 5 4 3 2 1



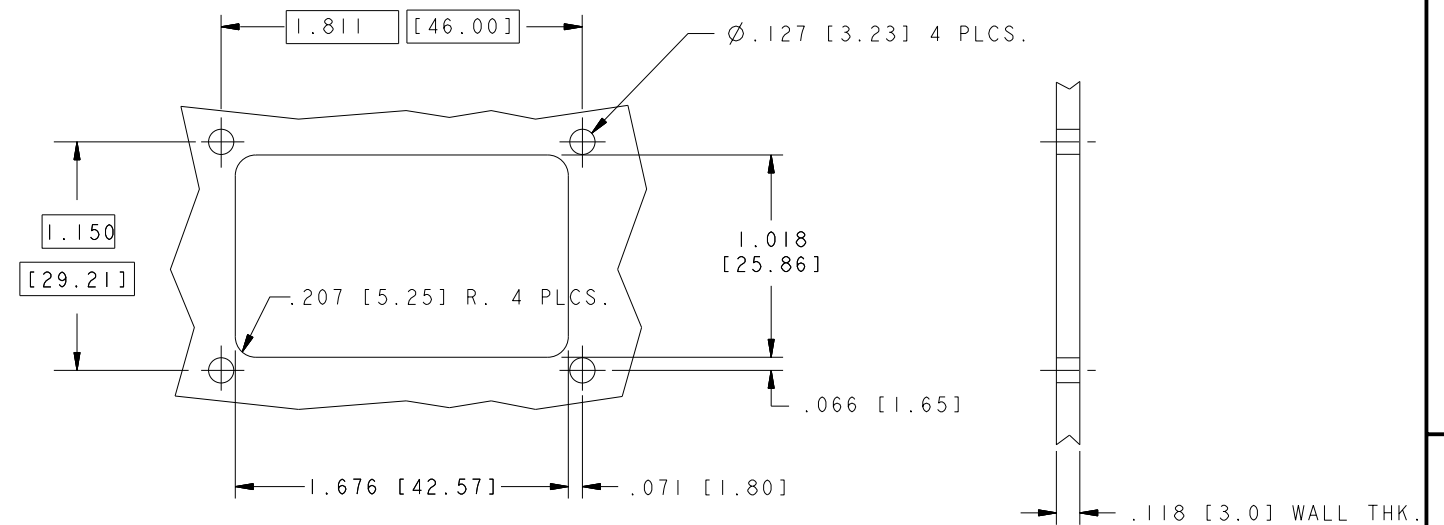
POLARIZATION "A"
581 01 18 001
HOUSING COLOR: BLACK



POLARIZATION "B"
581 01 18 002
HOUSING COLOR: NATURAL



RECOMMENDED PC BOARD LAYOUT



MOUNTING HOLE-MODULE CASE OPENING

UNITS ENGLISH	Cinch		1700 FINLEY RD LOMBARD, IL. 60148
DO NOT SCALE DRAWING	TITLE CONNECTOR ASSEMBLY, RECEPTACLE 18 POS.		
THIS DOCUMENT IS THE PROPERTY OF CINCH. NEITHER THIS DOCUMENT NOR ANY OF THE INFORMATION CONTAINED IN IT MAY BE DUPLICATED OR DISCLOSED WITHOUT PRIOR WRITTEN CONSENT OF CINCH.	PRO/E DRAWING		
	CAD FILE NUMBER 5810118001S	DRAWING NUMBER 581 01 18 001S	REV B
	CAGE IDENT NO. SIZE 71785 B	SCALE 1.000	SHEET 2 OF 2