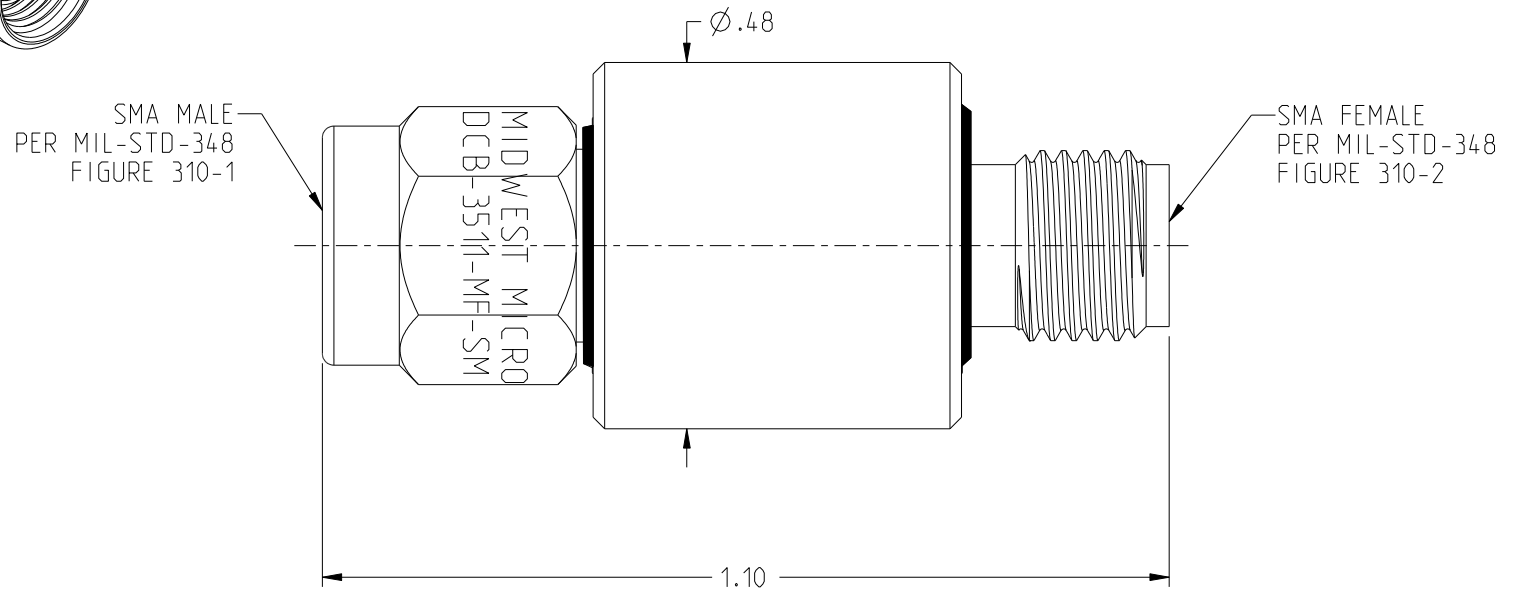
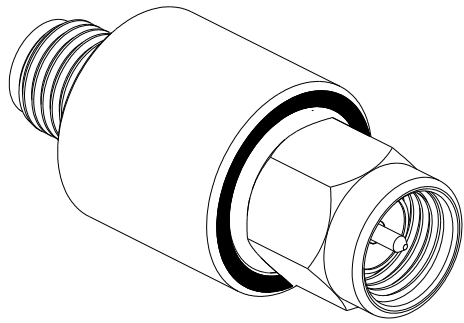


| REV | ECO | DATE |
|-----|-------|------------|
| A | 20639 | 12/21/2005 |
| D | 23232 | 1/24/2011 |
| E | 60186 | 6/11/2015 |



NOTES: UNLESS OTHERWISE SPECIFIED

1. MATERIALS AND FINISH:
 - 1.1 HOUSING (MALE & FEMALE), COUPLING NUT: PASSIVATED STAINLESS STEEL
 - 1.2 OUTER HOUSING: ACETAL (DELTRIN)
 - 1.3 CENTER CONTACT (MALE & FEMALE): GOLD PLATED BERYLLIUM COPPER
 - 1.4 INSULATORS: PTFE (TEFLON)
 - 1.5 GASKET: SILICONE RUBBER

2. ELECTRICAL SPECIFICATIONS:
 - 2.1 FREQUENCY RANGE: 0.5 TO 18.0 GHz
 - 2.2 IMPEDANCE: 50 OHMS, NOM.
 - 2.3 VSWR: 0.5-0.7 GHz 1.50:1 MAX
0.7-18.0 GHz 1.35:1 MAX
 - 2.4 INSERTION LOSS: 0.5dB MAX.
 - 2.5 DC WORKING VOLTAGE: 200 VOLTS, MIN.
 - 2.6 OPERATING TEMPERATURE: -20°C TO +100°C
 - 2.7 TYPE: INSIDE/OUTSIDE

| | | | | |
|--|---|----------------------|---|----------------------------|
| <p>NOTICE: The information in this drawing is PROPRIETARY and must not be used without the permission of Cinch Connectivity Solutions. It may contain data whose export is restricted. Verify status prior to exporting.</p> <p>INTERPRET DRAWING IN ACCORDANCE WITH ASME Y14.5-2018</p> | Model No: | DCB-3511-MF-SMA-02 | Title: MIDWEST MICROWAVE DC BLOCK SMA MALE-FEMALE INNER/OUTER | |
| | RoHS2 <input checked="" type="checkbox"/> | Cage Code | 34078 | Drawing No. |
| | UNLESS OTHERWISE SPECIFIED UNITS: INCH | 3RD ANGLE PROJECTION | ENGINEER: | DCB-3511-MF-SMA-02-01 |
| | ANGLES ±2° | Date: | 12/14/1994 | REV. E |
| | Size | A | DO NOT SCALE DRAWING | Workmanship Std: QAD-37012 |
| | | | | Sheet 1 OF 1 |